

## Visible Light Emitting Diode

The MTE4047N3-WT consists of a phosphor coated 470nm high output die in a water-clear plastic molded package producing neutral white illumination. Custom package solutions and sorting are available.

### FEATURES

- > High Output Power
- > High Reliability
- > Compact

### APPLICATIONS

- > Fiber Optical Communications
- > Indicator



## Absolute Maximum Ratings (Ta=25°C)

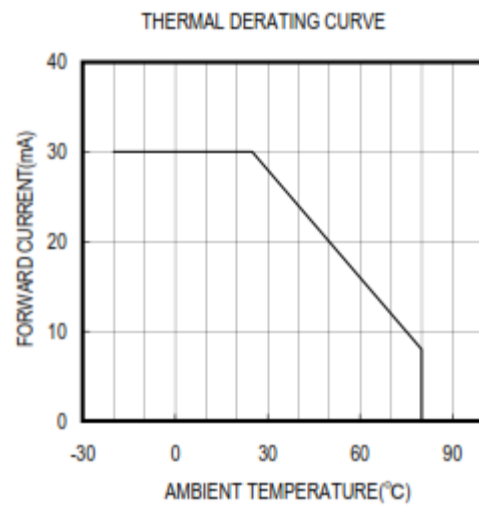
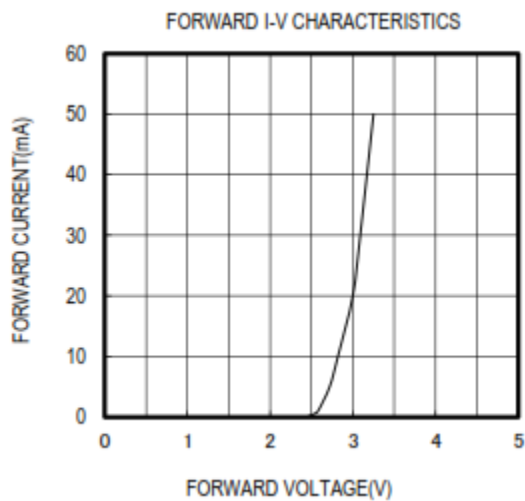
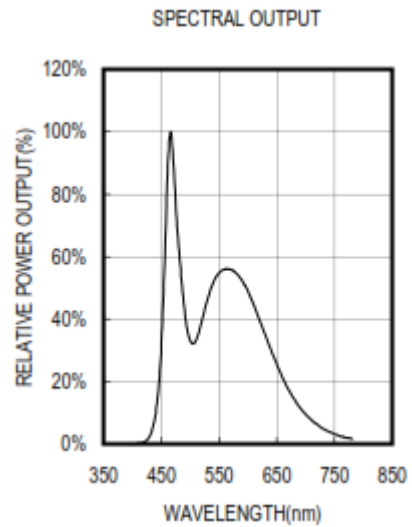
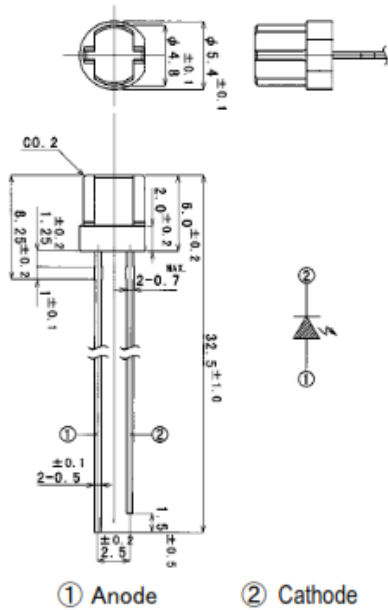


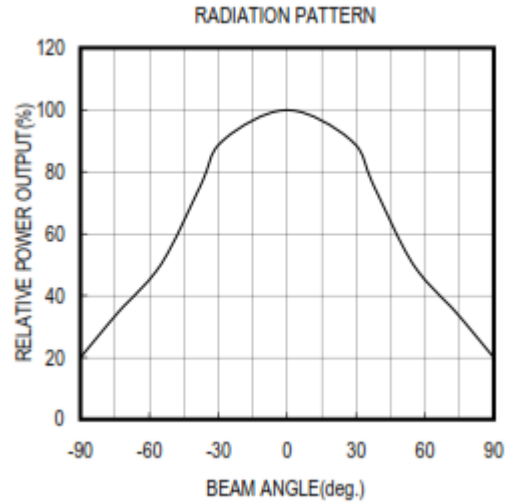
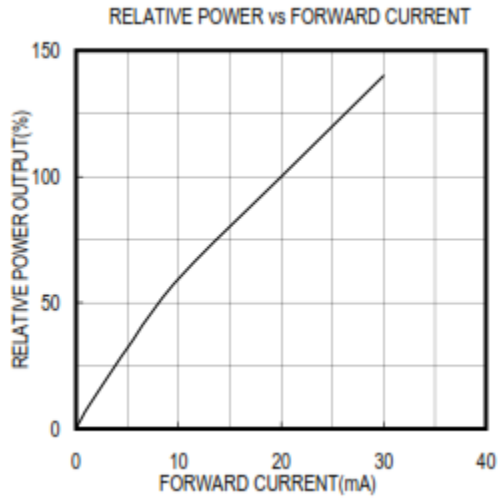
ITEMS	SYMBOL	RATINGS	UNIT
Forward Current	IF	30	mA
Forward Current (Pulse)*1	IFP	0.3	A
Reverse Voltage	VR	5	V
Power Dissipation	PD	120	mW
Operating Temperature Range	Topr	-20 ~ +80	°C
Storage Temperature Range	Tstg	-30 ~ +100	°C
Lead Soldering Temperature*2	Tls	260	°C
Junction Temperature	Tj	100	°C

\*1: Tw=10μsec, T=10msec; \*2: Time 5 Sec max, Position: Up to 3mm from the body.

## Electrical & Optical Characteristics (Ta = 25°C)

ITEMS	SYMBOL	CONDITIONS	MIN	TYP	MAX	UNIT
Luminous Intensity	IV	IF=20mA	--	1000	--	mcd
Color Temperature	TC	IF=20mA	4000	--	6000	K
Forward Voltage	VF	IF=20mA	--	3.0	3.5	V
Reverse Current	IR	VR=5V	--	--	100	μA
Half Intensity Beam Angle	Θ	IF=20mA	--	±55	--	deg





The information contained herein is subject to change without notice.

2024-03-14